

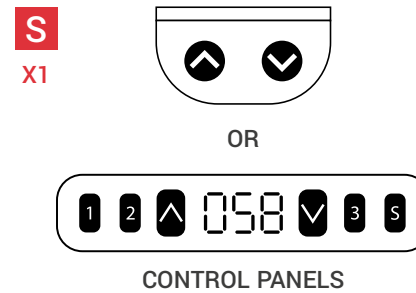
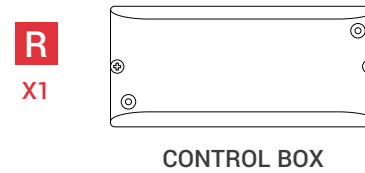
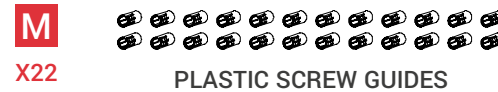
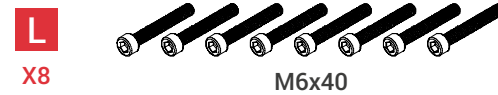
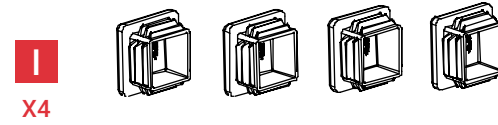
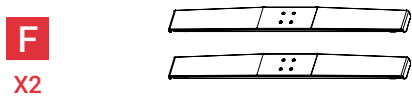
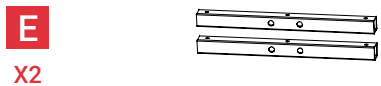
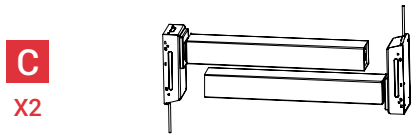
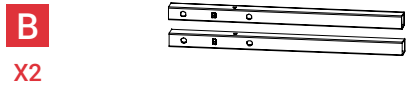
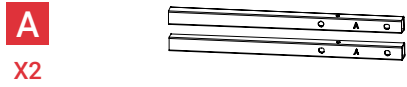
PRO 2 and 2+

USER ASSEMBLY GUIDE



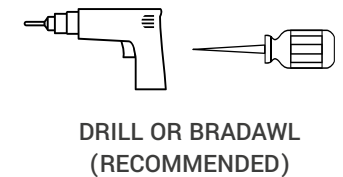
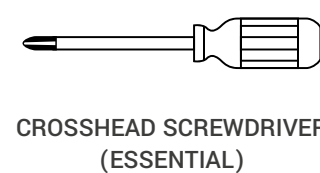
YO-YODESK®
Keep Moving

WHAT'S IN THE BOX

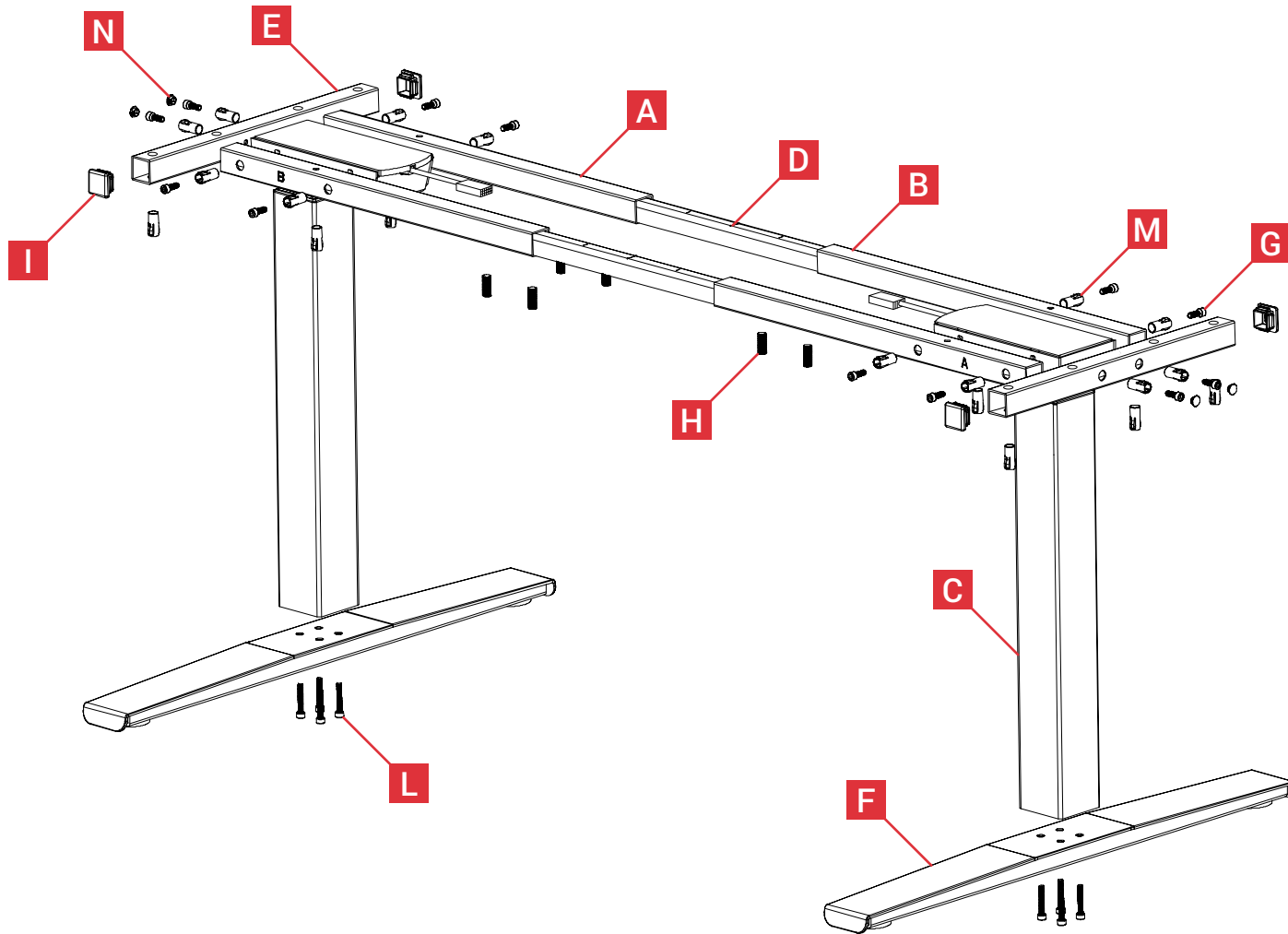


ALSO REQUIRED

TO ATTACH THE TABLE TOP, CONTROL BOX AND CONTROL PANEL

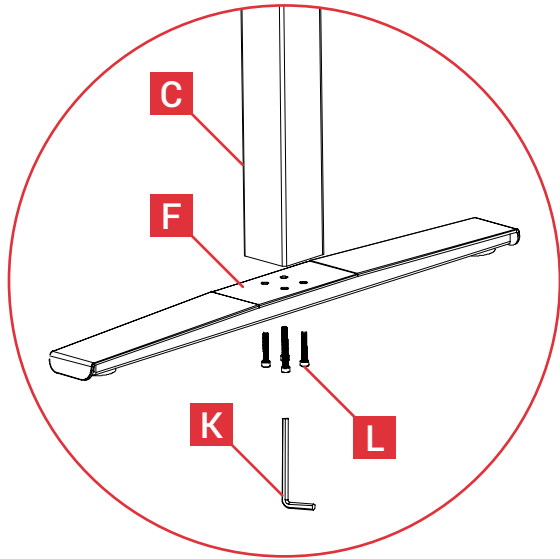


ASSEMBLY OUTLINE



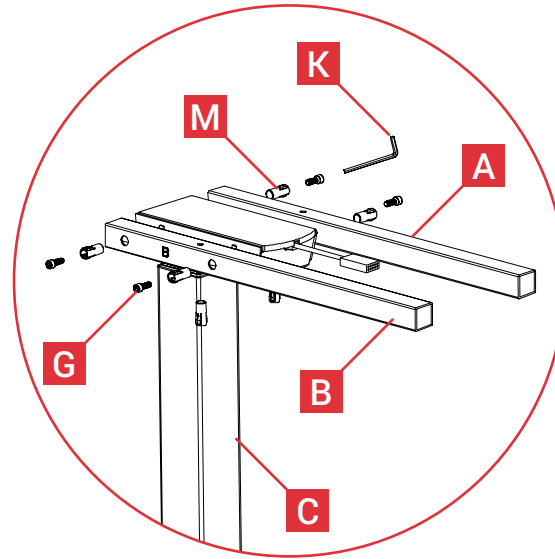
STEP 1:

Attach the legs (C x2)
to the feet (F x2)
with 4x L.



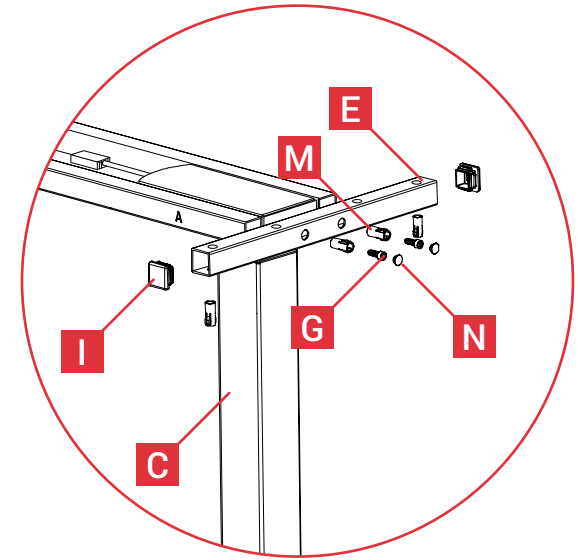
STEP 2:

Attach the crossbars (A + B)
to the legs (C x2).
Push in the 4x plastic screw guides (M)
then screw in 4x M6x15s (G).



STEP 3:

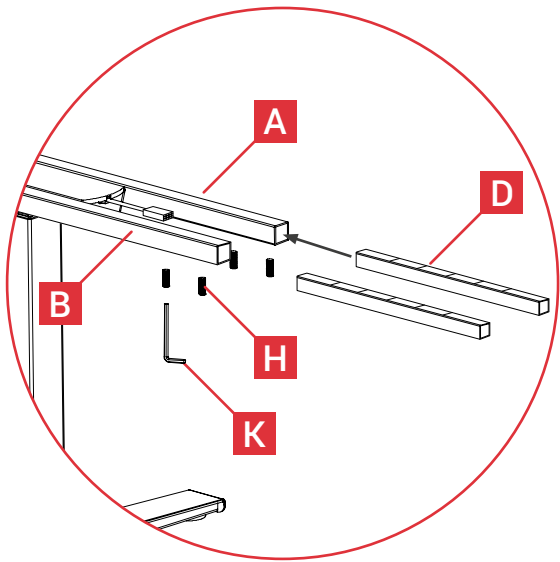
Attach the end strut (E)
to the legs (C x2)
with 2x plastic screw guides (M),
2x M6x15s (G) and then push in the
plugs (N) to cover the screws.
Finally, push the 2x plugs (I) into the
holes at the end of the struts (E).



STEP 4:

Attach the joining bars (D x2) by sliding them into the crossbars (A + B) and attach them using 4x H with K.

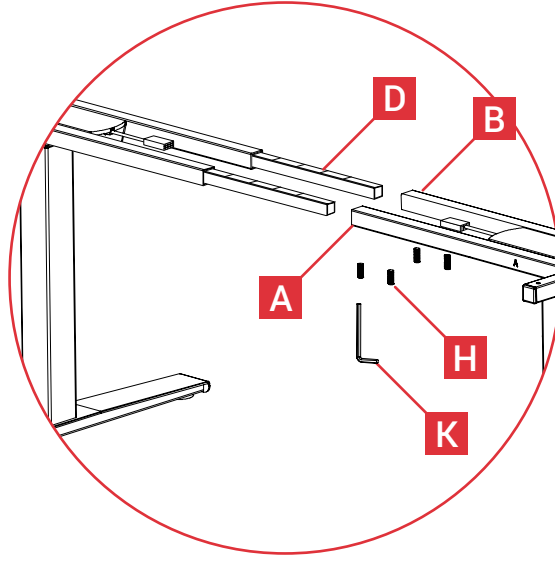
NOTE: Do not fully tighten H



STEP 5:

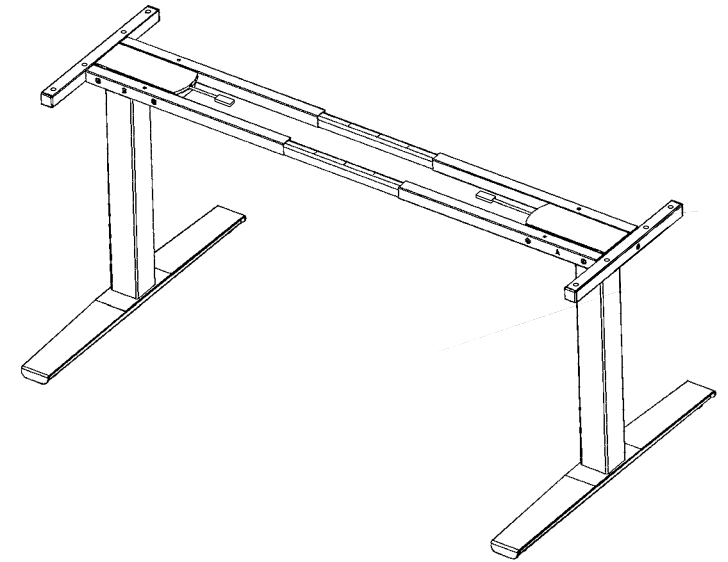
Slide the other end of the joining bars (D x2) into the crossbars (A + B) of the other legs, and attach them using 4x H with K.

NOTE: Do not fully tighten H



FRAME

Your PRO frame is now ready for the installation of your table top and control box.

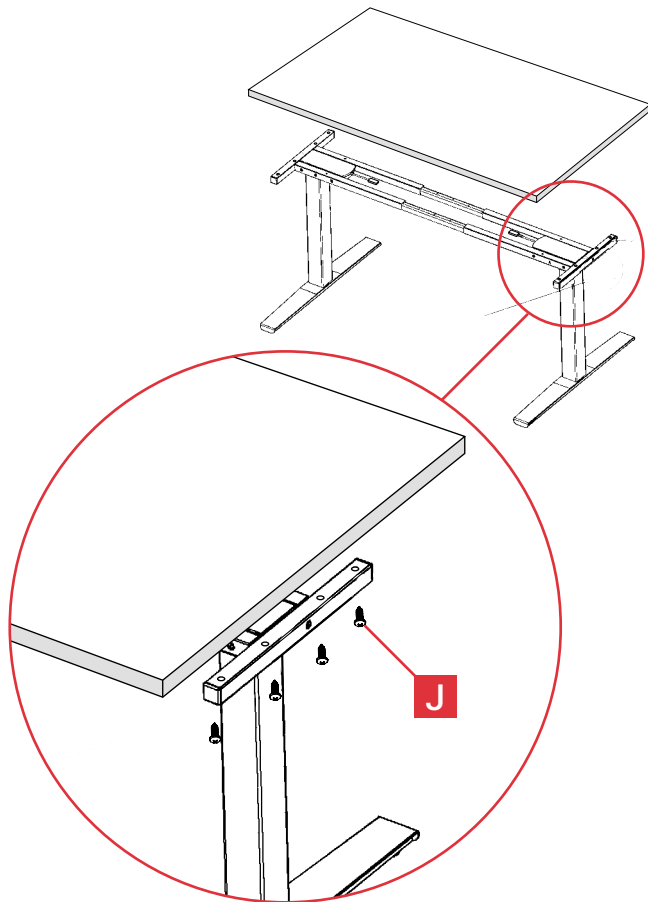


STEP 6:

Attach your table top to the frame by lining it up with the edge. (It can be easier to turn the frame upside down, you will need a soft, non-abrasive surface to protect your table top.)

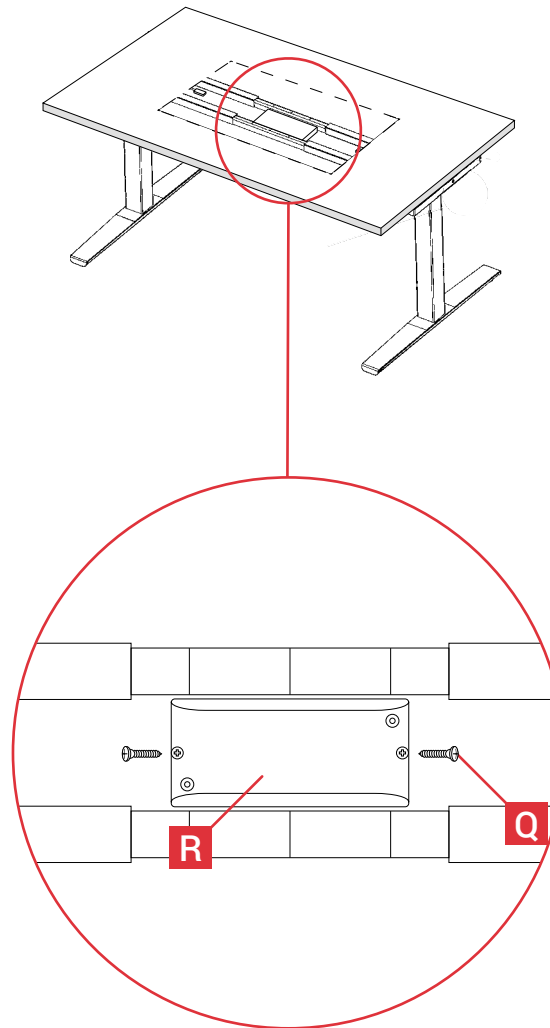
Using 8 of the M5x20 screws **J**, screw the PRO frame to your table top.

NOTE: Now you can fully tighten **H**



STEP 7:

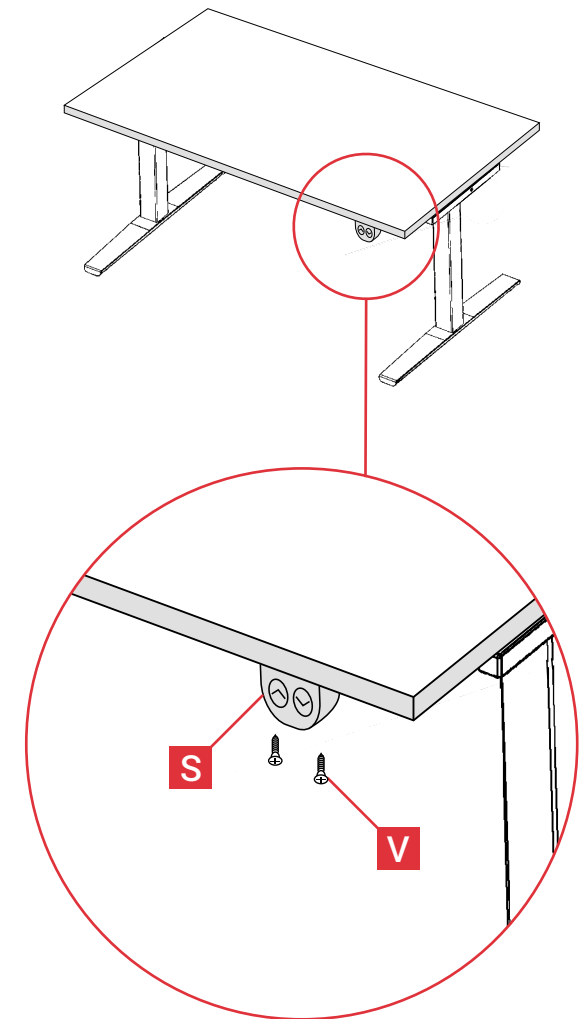
Once your table top is secured, still looking at the underside, place the Control Box **R** centrally between the two joining bars. Once centered, screw the control box to the table top using 2x **Q**.



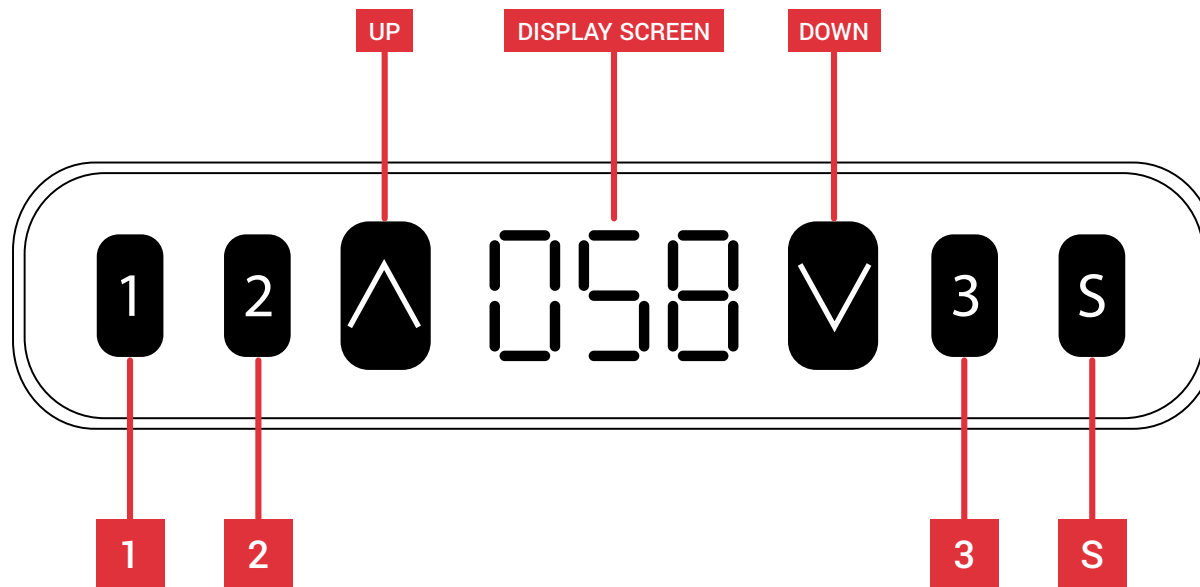
STEP 8:

On the underside of your table top, position your Control Panel **S** on the front edge, around 10cm from either side.

Using 2x **V**, screw the Control Panel to your table top, making sure it is secure.



MEMORY SETTINGS CONTROL PANEL



1. INITIALISATION PROCEDURE

STEP 1:

Press and hold  and  simultaneously for more than 6 seconds.

The legs will start to move down at half the speed of normal operation.

STEP 2:

Keep holding down  and .

The legs will start to move down to the lowest position and rebound 2-5mm, then stop.

STEP 3:

Release  and  at the same time.

The initialisation is complete.

The initialisation procedure must be completed before the first running of the table or after any parts have been replaced.

2. MOVE UP AND DOWN

STEP 1:

Press and hold .

The legs will move up.

STEP 2:

Release .

The legs will stop moving.

STEP 3:

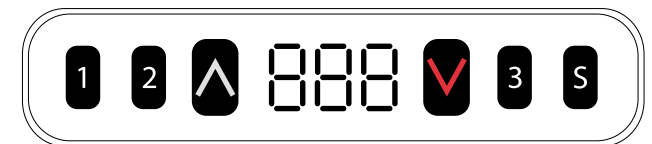
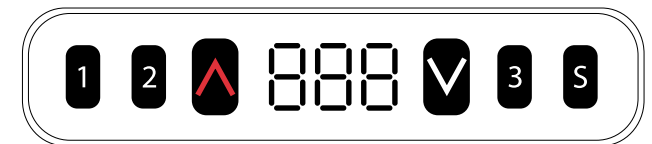
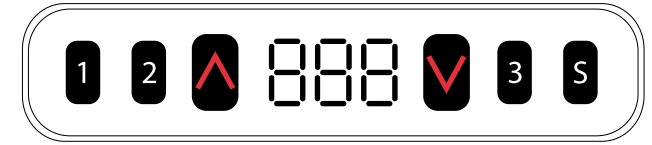
Press and hold .

The legs will move down.

STEP 4:

Release .

The legs will stop moving.



3. SET MEMORY POSITIONS

STEP 1:

Press and hold **▲** or **▼** and then release.

Move the legs to your desired standing height.

STEP 2:

Press the **S** button, then press button **1** within 6 seconds.

The height of position 1 is saved.

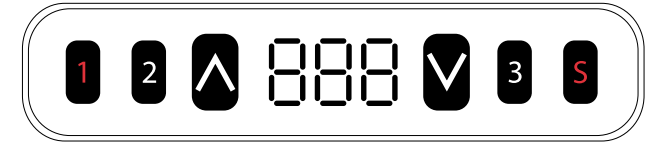
STEP 3:

To save other heights, repeat steps 1 and 2 but press button **2** and **3** to finish.

The heights of positions 2 and 3 are saved.

1. Memory position will be erased after initialisation.

2. Memory position can be overwritten.



4. MOVE TO MEMORISED POSITIONS

STEP 1:

Press and hold button **1**, **2** or **3**.

The legs return to the corresponding position.

5. ONE-CLICK OPERATION TO MEMORY POSITION 1, 2 OR 3

STEP 1:

Press and hold button **1**, **2** or **3**.

The legs return to the memory position.



6. MEMORY KEY ONE-CLICK LIFTING FUNCTION

STEP 1:

Hold the **S** key for over 5 seconds.

Subtitles flashing on the screen “- - -”

STEP 2:

Release the **S** key then, hold key **1** in 3 seconds.

“H - 0” or “H - 1” shows on the screen, indicating the lock or unlock of the one-click lifting function.

STEP 3:

Press and hold **^** or **v** to change existing function.

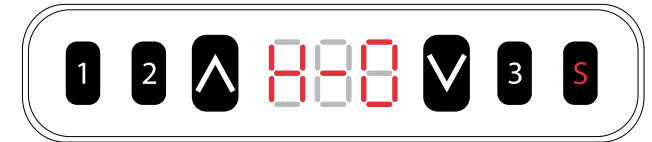
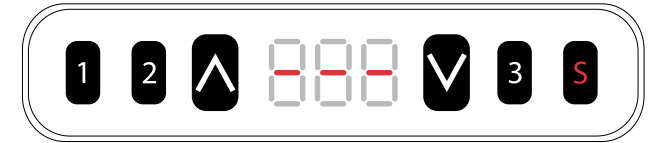
“H - 0” indicates the function is off; “H - 1” indicates the function is on.

STEP 4:

Hold the **S** key for over 2 seconds.

The one-click lifting function is on/off.

1. The one-click lifting function is turned off by default after initialisation.



7. EXCHANGE OF IMPERIAL SYSTEM AND METRIC SYSTEM

STEP 1:

Hold the **S** key then, hold key **v** for 3 seconds.

Display height switch between centimeters and inches.

STEP 2:

Release the **S** key

The switch is done.

1. as the column rises or falls, in the imperial display format, the minimum change in height is 0.5 inches; while in metric the minimum change is 1cm.



8. CORRECT DISPLAY HEIGHT TO OFFICE TABLE HEIGHT

STEP 1:

Set the table at any height, the bottom position is recommended.

Measure the table's actual height and write down the number in inches or centimeters.

STEP 2:

Hold the **S** key hold **^** key for over 3 seconds.

The first digit will be flashing on the screen.

STEP 3:

Release the keys, then click **^** or **v** to adjust the first digit.

Increase or decrease the first digit on the screen to match your measured number.

STEP 4:

Click the **S** key.

The second digit will be flashing on the screen.

STEP 5:

Click **^** or **v** to adjust the second digit.

Increase or decrease the second digit on the screen to match your measured number.

STEP 6:

Click the **S** key.

The third digit will be flashing on the screen.

STEP 7:

Click **^** or **v** to adjust the third digit.

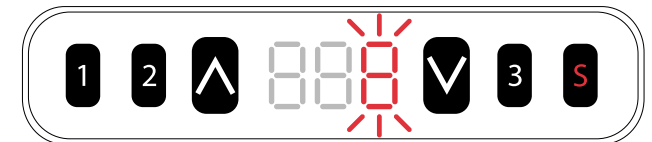
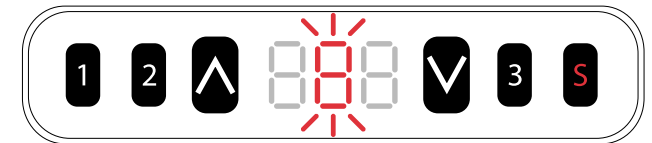
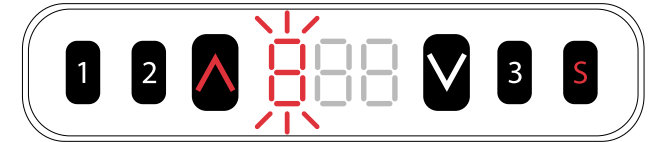
Increase or decrease the third digit on the screen to match your measured number.

STEP 8:

Click the **S** key.

The setting is complete.

1. Check whether the handset display format matches with the measured data, either in centimeters or inches. In imperial display format the minimum height adjustable unit is 0.5 inch, and in metric display format, the minimum height adjustable unit is 1 cm.



9. SET UP STROKE LIMIT OF RISING AND LOWERING

9.1 Lock up the rising stroke

STEP 1:

Press and  or  and then release the key.

Run the column to your desired height.

STEP 2:

Hold the **S** key, then hold key **3** for at least 3 second.

The caption “- L -” will display on the screen, indicating that the current height is locked as the highest running height.

To symbolize current height being locked as highest position the hyphens are on the top row of the digital field.

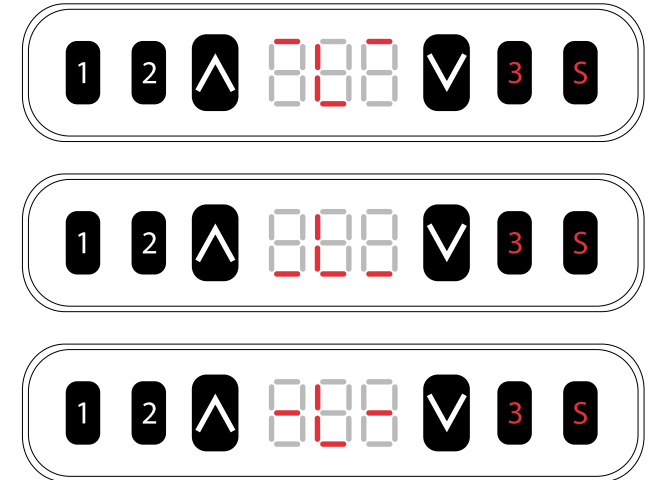
The hyphens are on the bottom row for lowest position and centred, when “locks” have been “cleared”

STEP 3:

Release the keys

The setting is complete.

1. The column cannot run higher than the locking height.
2. Setting the highest stroke limit will erase the positions higher than the locking height and, even if the stroke unlocking operation is performed, the memory positions higher than the locking height cannot be recovered. You must reset the memory position according to the memory position setting instructions.
3. The locking height will not be unlocked after initialisation.



9. SET UP STROKE LIMIT OF RISING AND LOWERING

9.2 Lock up the lowering stroke

STEP 1:

Press and **^** or **v** and then release the key.

Run the column to your desired height.

STEP 2:

Hold the **S** key, then hold key **1** for at least 3 second.

The caption "- L -" will display on the screen, indicating that the current height is locked as the lowest running height.

STEP 3:

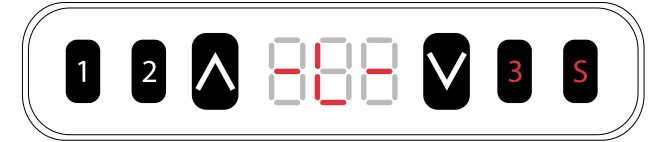
Release the keys

The setting is complete.

1. The column cannot run lower than the locking height.

2. Setting the lowest stroke limit will erase the positions lower than the locking height and, even if the stroke unlocking operation is performed, the memory positions lower than the locking height cannot be recovered. You must reset the memory position according to the memory position setting instructions.

3. The locking height will not be unlocked after initialisation.



10. UNLOCK STROKE LIMIT

STEP 1:

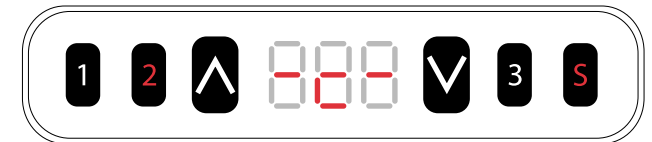
Hold the **S** key then, hold key **2** for a few seconds.

The caption "- c -" will display on the screen, indicating that the stroke limits are both unlocked.

STEP 2:

Release the keys

Unlock complete.



11. ERROR CODES

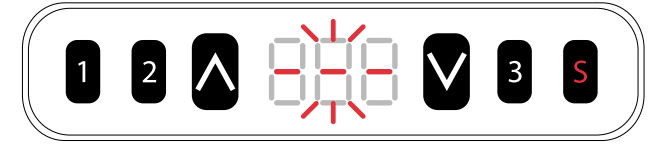
E01	Column malfunction	Linkage between columns and control box disconnected.	<ol style="list-style-type: none"> 1. Check to see if the link cable between the columns and the control box is disconnected. 2. Check to see if there is any part damaged in the columns. Replace the column if yes. 	801
E03	Overload	The table top load exceeds the control box rated loading limit.	<ol style="list-style-type: none"> 1. The column is overloaded, reduce the load. 	803
E04	Abnormal data	Control box abnormal data.	<ol style="list-style-type: none"> 1. Operating the system in a harsh environment, which results in abnormal control box data and requires initialisation. 2. The initialisation process is interrupted, resulting in abnormal control box data, which requires reinstallation. 	804
E05	Key stuck	Handset value is detected for more than 30 seconds under pressing.	<ol style="list-style-type: none"> 1. Reposition the key on the handset if it gets stuck. 2. Replace the handset. 	805
E06	Communication outage	Handset receives no data in 5 seconds.	<ol style="list-style-type: none"> 1. Check the link cable to see if the communication between handset and control box is disconnected. 2. Check the control box to see if it functions. 	806
E07	Handset height setting too low.	Handset setting is below 0.	<ol style="list-style-type: none"> 1. The height value of the handset is below 0, which needs to be adjusted to a higher value. 	807
E08	Motor short circuit	Broken cable causes motor short circuit.	<ol style="list-style-type: none"> 1. Check if there is cable damage in the motor and change if necessary. 2. Power on again. Check whether the motor is working normally and if the error code is still showing. 	808
E09	HALL sensor abnormal	Hall counting abnormal.	<ol style="list-style-type: none"> 1. Re-initialise the system. 	809
E10	Abnormal driving	Malfunction occurs inside the control box.	<ol style="list-style-type: none"> 1. Cut off the power supply and cool the control box for 1 minute before powering back on. If the error code is still showing, the control box should be replaced. 	810

12. ADJUSTING THE SENSITIVITY OF THE GYRO ANTI-COLLISION

STEP 1:

Press and hold the **S** key for over 5 seconds.

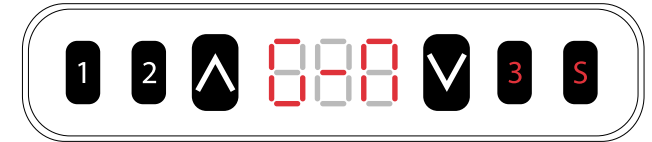
Subtitles flashing on the screen “- - -”



STEP 2:

Release the **S** key then, press key **3** within 3 seconds.

“G - N” is displayed on the screen, indicating the current gyro anti collision sensitivity level (N indicates the sensitivity level).



STEP 3:

Click **^** or **v** to adjust the anti-collision sensitivity.

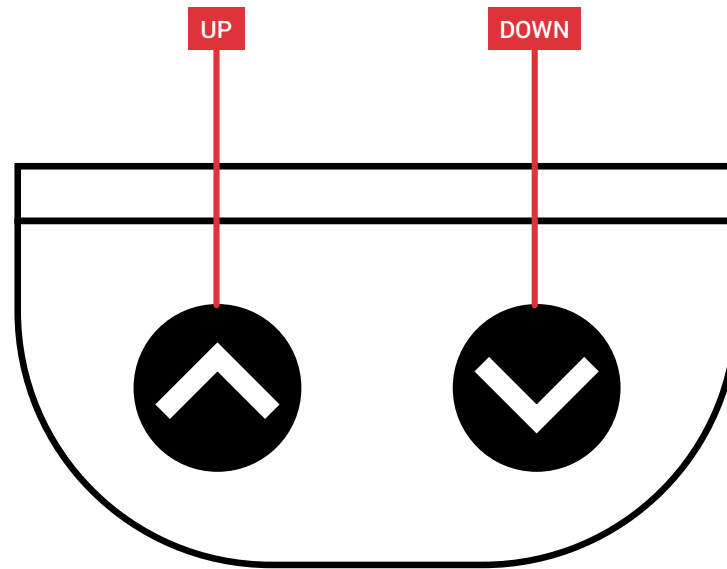
Increase or decrease the anti-collision sensitivity. There are five different levels of sensitivity: “G - 0”, “G - 1”, “G - 2”, “G - 3”, “G - 4”, where G4 indicates the highest sensitivity.

STEP 4:

Hold the **S** key for over 2 seconds.

Sensitivity adjustment is complete.

BASIC UP/DOWN CONTROL PANEL



1. INITIALISATION PROCEDURE

STEP 1:

Press and hold  and  simultaneously for more than 3 seconds.

The legs will start to move down at half the speed of normal operation.

STEP 2:

Keep holding down  and .

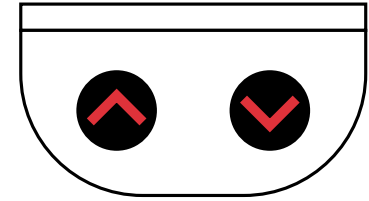
The legs will start to move down to the lowest position and rebound 2-5mm, then stop.

STEP 3:

Release  and  at the same time.

The initialisation is complete.

The initialisation procedure must be completed before the first running of the table or after any parts have been replaced.



2. MOVE UP AND DOWN

STEP 1:

Press and hold .

The legs will move up.

STEP 2:

Release .

The legs will stop moving.

STEP 3:

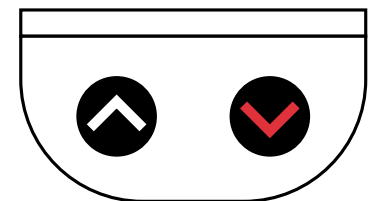
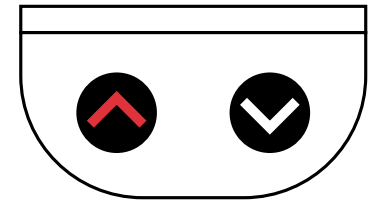
Press and hold .

The legs will move down.

STEP 4:



Release .

The legs will stop moving



1. FAULT PROTOCOL

STEP 1:

Fault Phenomenon	Handling
After connecting the power, press up or down, the legs do not respond.	<ol style="list-style-type: none">1. Re-initialise the table2. Check if the connection is correct or not3. Please contact your supplier
After connecting the power, press and hold  and  together, the legs do not respond.	<ol style="list-style-type: none">1. Check if the connection is correct or not2. Please contact your supplier
The legs are rising slowly.	<ol style="list-style-type: none">1. Check if the input power is correct or not2. Please contact your supplier
The legs don't move according to your operation.	<ol style="list-style-type: none">1. Please contact your supplier
One leg moves while the other does not move.	<ol style="list-style-type: none">1. Check if the connection is correct or not2. Please contact your supplier
Legs only move down and don't move up.	<ol style="list-style-type: none">1. Re-initialise the table2. Please contact your supplier
Table slides down by itself.	<ol style="list-style-type: none">1. Check if the load on the table exceeds 75kg or not.2. Please contact your supplier
The table goes into initialisation frequently.	<ol style="list-style-type: none">1. Check if the load on the table exceeds 75kg or not.2. Check the noise of the motor.3. Please contact your supplier.

CONTACT YO-YO DESK

Telephone: +44 (0) 1793 575 082

Email: info@yo-yodesk.com

Website: yo-yodesk.com

YO-YODESK[®]
Keep Moving