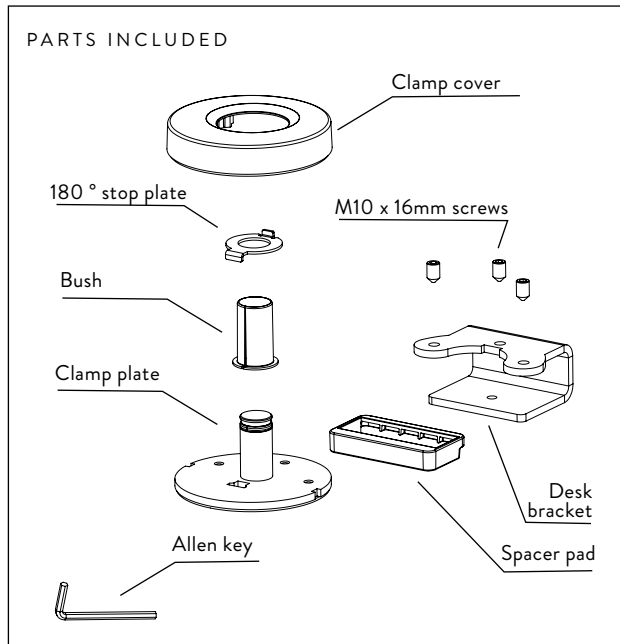
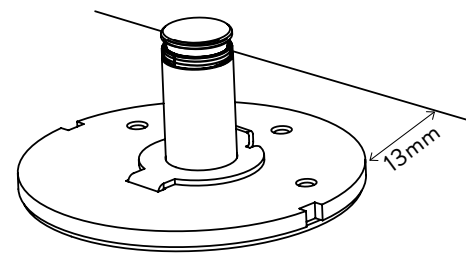


FLO PLUS TOP MOUNT CLAMP

DYN-026-A34-INST-A-SEP 2015

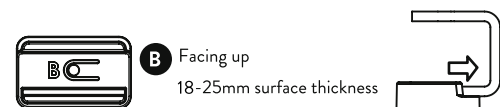
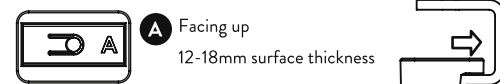
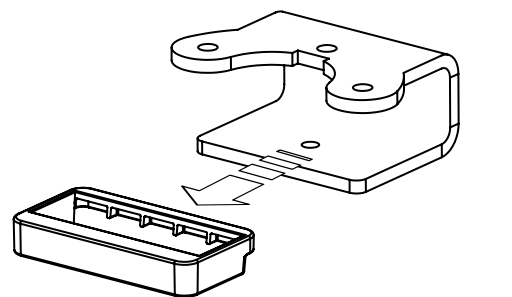


1 POSITION CLAMP PLATE ONTO WORK SURFACE

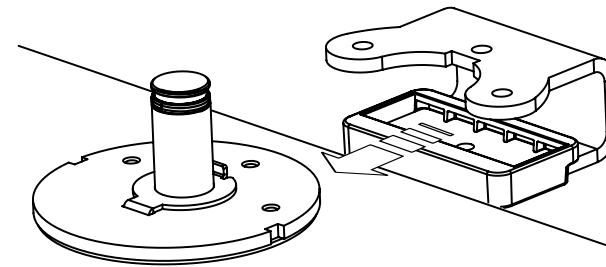


Position clamp 13mm from edge of desk

2 CONFIGURE SPACER PAD

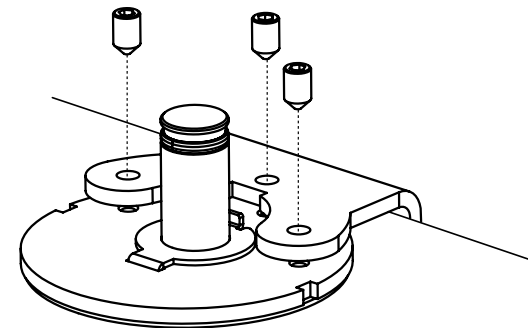


3 FIT C-BRACKET

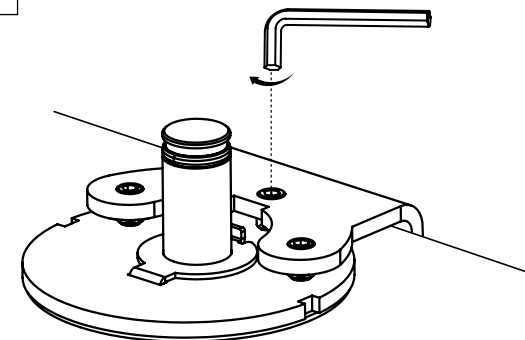


IMPORTANT NOTE
Ensure inside of bracket is flush against back of work surface

4 FIT CLAMP SCREWS

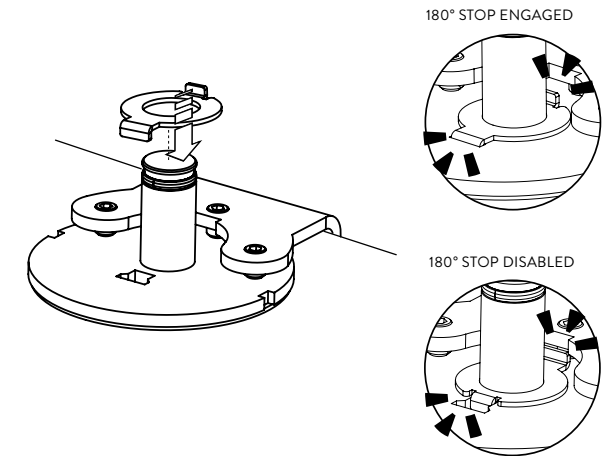


5 FULLY TIGHTEN SCREWS

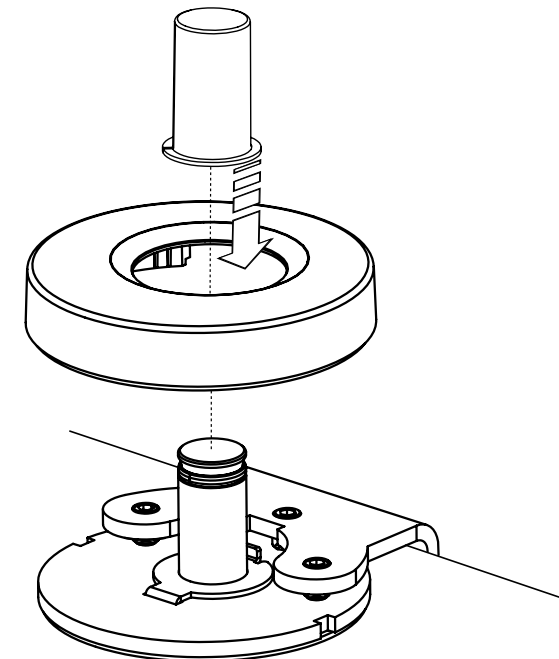


IMPORTANT NOTE
Ensure screws are equally tightened

6 CONFIGURE 180° STOP COMPONENT



7 FIT CLAMP COVER AND BUSH



WARNING

- Do not use this product for any purpose other than that for which it was designed
- Ensure desk/work surface is suitable to take the weight of the arm/s and monitors
- Supported weight must not exceed the maximum load per arm
- Take care when installing as fingers could become trapped

MAINTENANCE AND INSPECTION

- Ensure all screws and fixings are fully tightened and occasionally re-tighten if necessary.
- Clean with a damp cloth. DO NOT use solvents.

DISCLAIMERS

- The use of power tools, lever bars or excessive force during the installation, or re-configuration of the product will invalidate your guarantee
- Failure to observe the recommendations in the use, and configuration of these products may affect your guarantee