

tonique

Seating Specification Guide



KOPLUS®

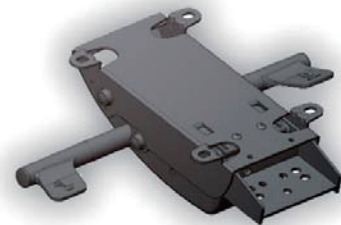
AUTO-BALANCE MECHANISM

The self adjusting mechanism is designed especially for tonique chair. The main body itself is composed of an aluminum casing. The mechanism automatically accommodates users of different weight which eliminates the need to manually adjust tension settings. Additionally, tension adjustment can be further altered using the gas height lever and a 4-tilting-lock mechanism which incorporates a safe upright return system for the backrest.



TENSION ADJUSTMENT

There is practically no necessity for manual adjustments. When further alterations are desired the hexagon screwdriver in the tool kid can be used for tension adjustments. Reclining tension control can be adjusted to various body weights.



WIDE COLOUR SELECTION

Tonique offers as standard a black and white chair frame with star base selection and 4 varieties of mesh and seat cushion to suit all office and domestic interior color scheme or style.

It blends into various environments and can be styled with ease which allows users to uplift their working environment and style and which catches everybody's attention.



STAR BASE

The uncomplicated design of the Tonique chair has a fluent curve. Its star base also features a modern design and exquisite craftsmanship using solid nylon material. Most importantly it is BIFMA test approved which requires 1132 kg down pressure twice per minute without any sudden or major structural changes.

Passed BIFMA test -

Evaluation: Base Test Static (Pedestal Base)

Citation/Method: ANSI/BIFMA X5.1-2002 Clause 7

Criteria: No sudden and major change in the structural integrity less than 2500 lb (11,100N) compression for 1 min. The Weight is then removed and reapplied for 1 min.

PU CASTOR

PU is a material with an elasticity characteristic that is a combination of plastic and rubber. KOPLUS standard PU castor consist of a plastic interior with an outer PU layer which allows silent movements that also prevents any scratching to the floor surface (1/1000 scratching rate of Nylon). For that reason the PU castor is suitable for use on wood/ carpet/ marble stone or PVC floor finishes. It is also SGS test approved by America's ANSI/BIFMA X%.1-2002 castor durability test (withstanding 100,000 times back and forthrolling movement without suffering any function or structural changes. Additionally, according to the EN1335-2:2000+2009 Office work chair Safety requirements, KOPLUS standard castors are categorized as Type H which are also suitable for carpeted floors.

MATERIAL INTRODUCTION

4 S DNA

SIMPLE/
STYLISH/
SENSIBLE/
SUSTAINABLE

Chair Back Mesh

Material

TPEE™ + PET

Description:

Besides being highly permeable it surpasses other similar materials for being flexible, strong, and supportive which allows closer and better support for the user.

Chair Frame

Material

Nylon + Glass Fibre

Description:

In addition to the streamlined curve it also provides comfort and acts as a support for the central part of the mesh.

Armrest

Material

Nylon + PP

Description:

Plastic armrest with: height adjustment – 100mm. 10cm adjustment in height, arm can stop in 10 positions by button control.

Seat Height Adjustment

Description:

This lever for gas height adjustment 415~525 mm seat height adjustable.

Castors

Material

PU

Description

φ60mm PU castor. Durable, scratch resistant, supports heavy loads and is suitable for many different surfaces.

Star Base

Material

Nylon + Glass Fibre

Description

Solid design to guarantee durability and safety. It matches the EU RoHS / REACH / PAHS standard which is impact, low temperature, UV and oxidizing resistant.

Arm Pad

Material

PU

Description:

Durable, scratch resistant, supports heavy loads, and suitable for various material finishes.

Seat Shell

Material

PP + Glass Fiber

Description:

The advantages of PP are its recycling features and light weight strength. Glass Fiber adds firmness and durability.

Back Tilt

This lever for tilting function with 4 locking positions.

Mechanism

Aluminum

Description:

Containing many patented features it houses the central reclining function for the chair. Having greater potential in production it is more suitable than other materials for continuous usage.



TPEE™ ELASTIC MESH

4 S DNA

SIMPLE/
STYLISH/
SENSIBLE/
SUSTAINABLE

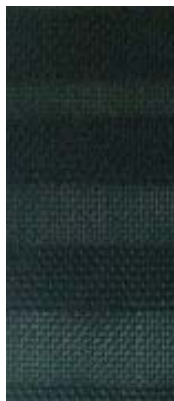
MESH

Tonique mesh is made from TPEE™ material which is processed using a unique extrusion technology, that will maintain both strength and elasticity for the mesh.

TPEE is 100% recyclable with no chemical bonding agent or adhesive glue added so as not to harm health and its weave will not be distorted even with long-term use.



MESH OPTIONS



Black



Green

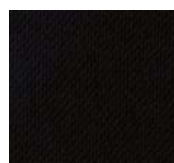


Blue



Orange

FABRIC OPTIONS



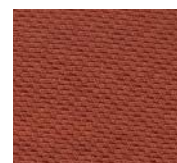
Black



Green



Blue



Orange

FEATURES

4 S DNA

SIMPLE/
STYLISH/
SENSIBLE/
SUSTAINABLE

HEIGHT ADJUSTABLE LUMBAR SUPPORT

The lumbar support is designed to fully adjust to the users back regardless of their height.



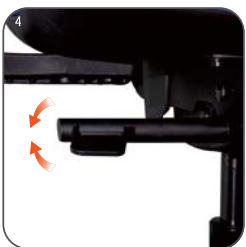
HEIGHT ADJUSTABLE ARMREST

Options:
Height adjustable arms with fixed armpad.
Height adjustable arms with sliding armpad.



RECLINING LOCKING

This tilting lever consists of a 4 position function.



SEAT HEIGHT ADJUSTMENT

This gas height lever can be adjusted between 415-525 mm seat height.

DEGREE OF RECLINING LOCKING

4 S DNA

SIMPLE/
STYLISH/
SENSIBLE/
SUSTAINABLE

Choose the unlimited rocking or
4 reclining angles.

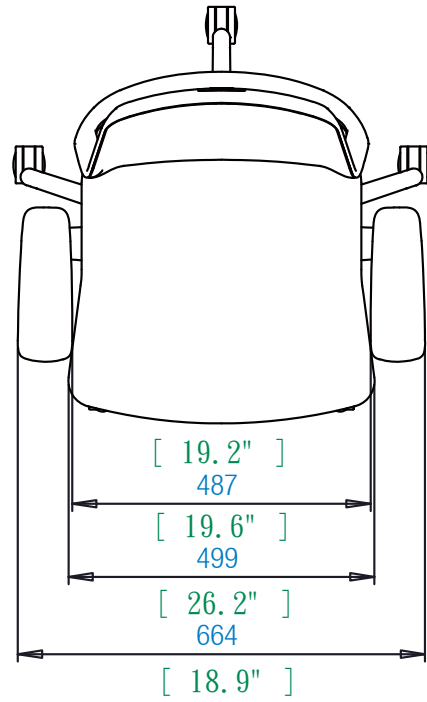
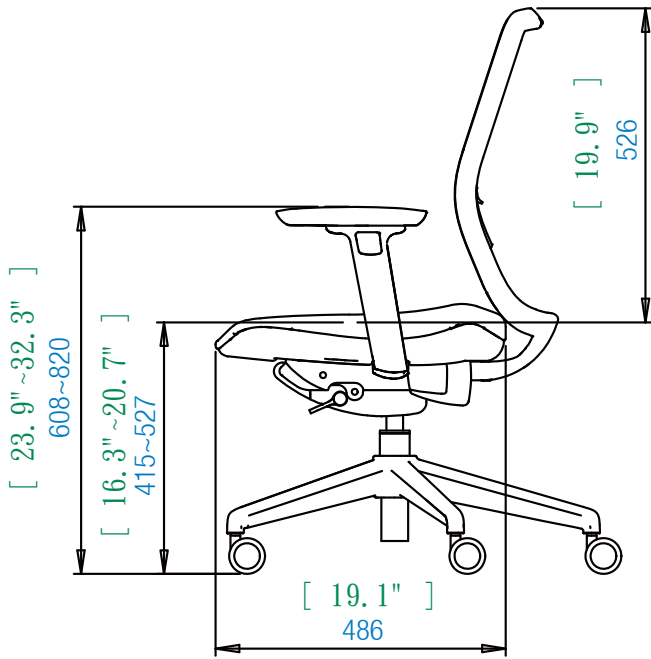


PRODUCT DIMENSION

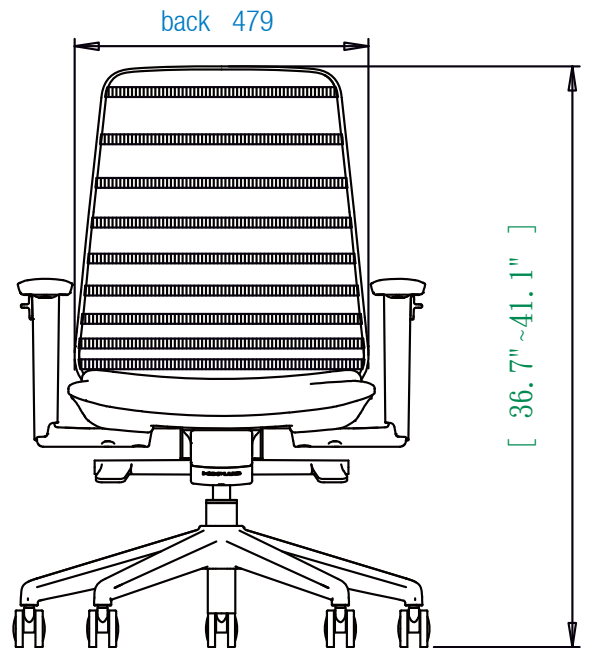
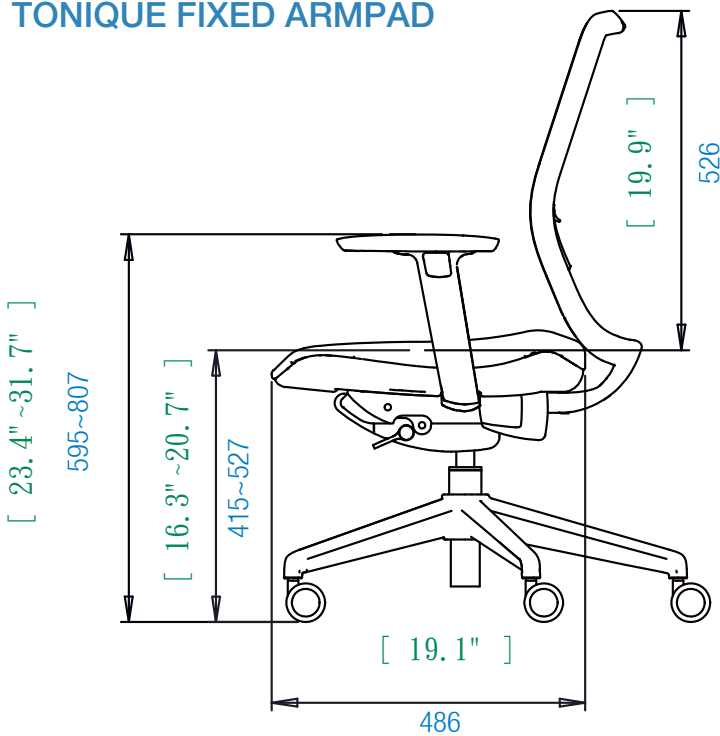
4 S DNA

SIMPLE/
STYLISH/
SENSIBLE/
SUSTAINABLE

TONIQUE SLIDING ARMPAD



TONIQUE FIXED ARMPAD

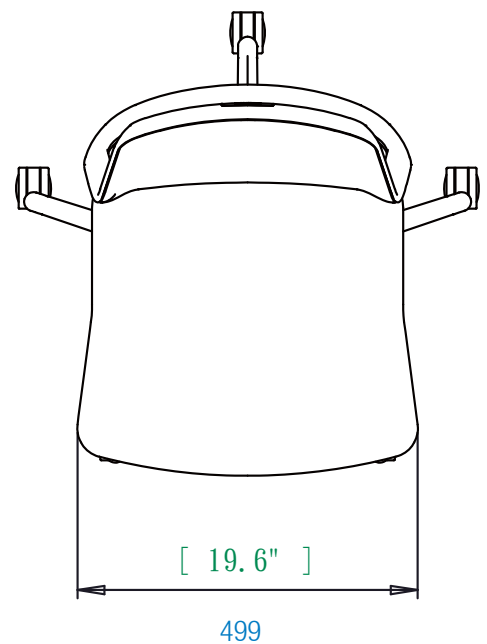
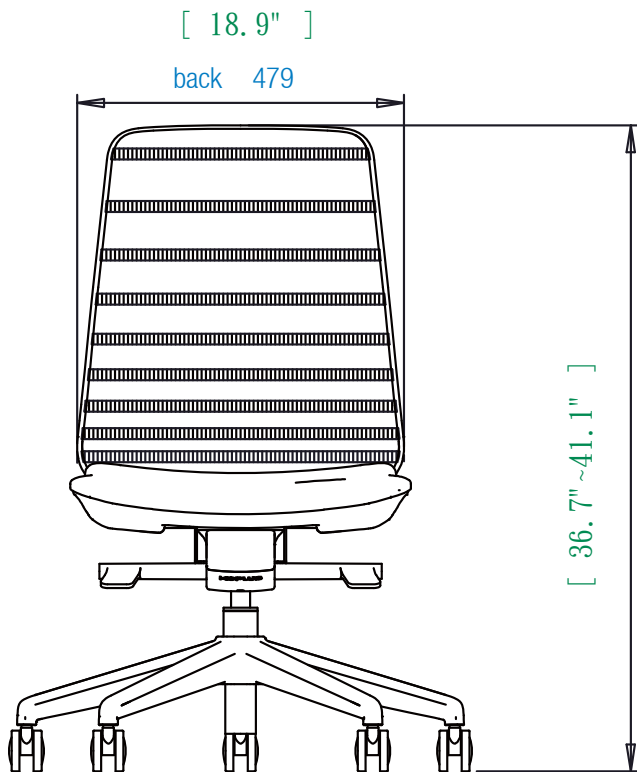
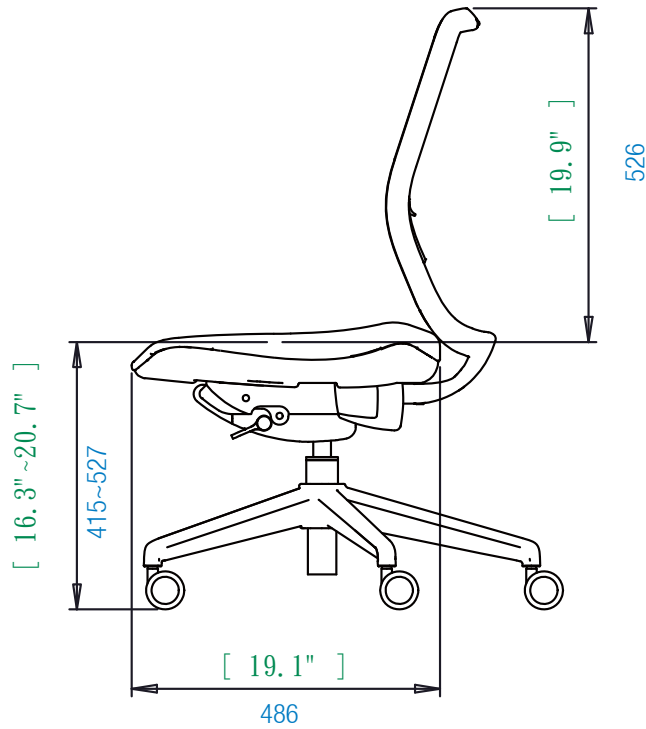


PRODUCT DIMENSION

4 S DNA

SIMPLE/
STYLISH/
SENSIBLE/
SUSTAINABLE

Wo Armrest



TEST STANDARD

4^S DNA

SIMPLE/
STYLISH/
SENSIBLE/
SUSTAINABLE

Test Standard



BIFMA Test

Test Requested:

For compliance with ANSI/BIFMA X5.1-2002 General-Purpose Office Chairs-Tests.

Test Methods: According to test procedures of ANSI/BIFMA X5.1-2002

CPSIA

Test Requested: For compliance with lead in paint/similar surface coating material in US Public Law 110-314 (HR4040'Consumer Product Safety Improvement Act of 2008')

Fabric Specification & Testing

A	Fire Tests
1	California Technical Bulletin 117 Section E ,Part 1, Upholstery Fabric
2	BS 7176-2007 (BS EN 1021-1:2006 、 BS EN 1021-2:2006)
B	Tests
1	Fabric weight (OZ/SQ,Yd -ASTM D 3776-09 a) (R2002)
2	Defects - ASTM D 3990-99 (R2004)
3	Evenness of color - ASTM D 3990-99 (R2004)
4	Fabric Strength- Length & Width-ASTM D 5034 - 95 (R2001) - MIN. 50 LBS
5	Abrasion Resistance - ASTM D 3884 - 01 e1 - 300 cycles for Fabrics , Less than 10 % weight loss
6	Tear Strength - Warp & Fill - ASTM D 1424 - 09
7	Colorfastness - Light - AATCC 16, GRADE 4@10HR
8	Colorfastness - Dry Crocking - AATCC 8 / 116, GRADE 4
9	Colorfastness - Wet Crocking - AATCC 8 / 116, GRADE 4
10	Colorfastness - Water Spotting - AATCC 104 - 2004 - CLASS 3.5
11	Abrasion Resistance : ISO 12947-2 No. of rubs Over 80,000 rubs

Foam Test

Test Requested: For compliance with:
California Technical Bulletin 117

- (1) Section A, Part
- (2) Section D, Part

Packaging Test

Test Requested:

For compliance with ISTA-1A Packaging test.
Packaging Test Procedure(ISTA-1A)

KOPLUS®